

Polestar 4



Polestar 4 joins the collection

Polestar cars represents a new form of electric performance. One defined by minimalistic design, technological innovations, sustainable solutions, and a complete lack of compromise. Polestar 4, an SUV coupé, makes the shift to a fully electric fleet natural and continues that philosophy together with the rest of the Polestar collection. Now available online and in 27 markets worldwide.

It all started with Polestar 1; a limited-production electric performance hybrid built from 2019 to 2022. Then came Polestar 2, an electric fastback, followed by Polestar 3, electric SUV. Now Polestar 4 joins them, combining aerodynamics of a coupé, with spaciousness of an SUV. And like all Polestar EVs; technology for the electric age.

This is Polestar 4.



Acceleration from 0 to 100 km/h¹

3.8 sec

Power up to¹

400 kW

544 hp

Performance

Polestar 4 is the fastest production car Polestar has developed to date, with the dual motor variant accelerating from 0 to 100 km/h in 3.8 seconds¹. The driving dynamics remain true to the Polestar philosophy, with direct steering and sharp handling that inspires driver confidence.

The Long range Dual motor variant delivers 400 kW¹ (544 hp¹), 686 Nm of torque¹ and a range target of up to 580 km WLTP¹. The rear-wheel driven Long range Single motor with 200 kW¹ (282 hp¹) and 343 Nm¹ has a range target of up to 610 km WLTP¹ on a single charge.





Charging speed¹

DC 200 kW, from 10 to 80%

30 min

Up to 22 kW, from 0 to 100%

5.5 hrs

Technology

Polestar 4 elevates the electric driving experience with a rear-facing HD camera for a wider field of vision, a 15.4" centre-stack display in landscape orientation, and the solar system-inspired ambient light line that orbits around the interior to illuminate the thoughtfully matched color and material combinations. With Google built-in, Polestar 4 instantly becomes part of the driver's digital ecosystem.





15.4" Landscape screen

Featuring standard Google Assistant, Google Maps, and Google Home integration.

Solar system-inspired interior illumination

The ambient light line orbits around all occupants and can be customised with different planetary themes to suit light conditions and mood.





Rear-facing HD camera

This is the rear window. The high-definition camera looks past all intrusions to make rearward vision clearer, wider, and safer.



Outer design

The Polestar design language continues with a sleek, aerodynamic coupé profile, ideally suited to the electric powertrain. The low, sporty front, the rear aero blades, and a completely flat floor work together to optimise range and efficiency. Frameless mirrors and flush door handles are also designed to improve air flow.





Headlights

The daylight running lights wear the Polestar signature dual blade design. Underneath the lower blade is a 32 pixel headlamp, blending minimalist aesthetics with intelligent adaptive technology in all light conditions.





Aerodynamics

The sleek, aerodynamic coupé profile is the perfect form for the electric era, combining a spacious interior with a sporty silhouette.

Rear light bar

The rear light bar adapts to the surrounding light conditions by constantly adjusting its illumination.



Exterior colour options

Magnesium





Snow

Space





Storm

Electron



Exterior colour options

Gold



20" Aero



21" Pro



21" Sport



22" Performance





Inner space

The EV for passengers and drivers. The stretched panoramic roof creates a light and airy interior experienced from the comfort of every seat. The absence of a rear window creates a modern and spacious environment with plenty of headroom for those in the rear. As night falls the ambient lighting again floods the cabin with shades inspired by the solar system. The seats are electrically adjustable in the front and electrically reclinable in the rear.





Charcoal Bio-attributed MicroTech.



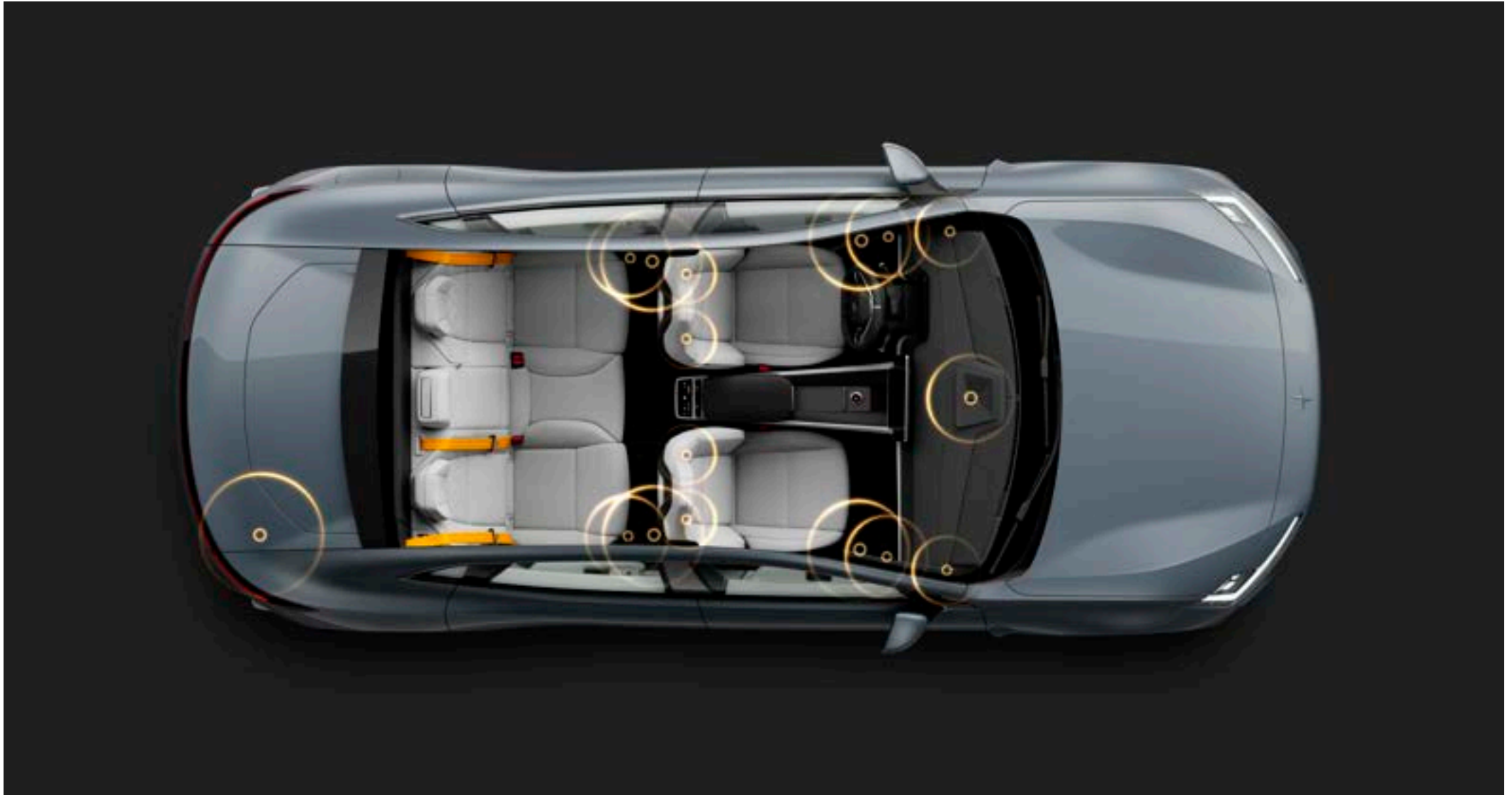
Charcoal Nappa leather.



Mist Tailored knit.



Zinc Nappa leather.



Sound system

Harman Kardon Premium Sound elevates the audio experience in the Polestar 4. With 16 interior speakers and producing 1400W via a channel-hybrid amplifier, the system delivers unparalleled clarity, pitch and power. Immerse yourself in a world of precision-tuned sound that enhances every moment of your journey.



Panoramic roof

Arching above all passengers from front to rear, the generous panoramic glass roof floods the interior with light.

Camera rear window

This not only provides a better rearward view, but also a spacious rear seating area with plenty of headroom.





Packs and single options

Polestar 4 comes with a carefully curated range of packs, colours, sustainable materials, and single options, making the electric experience even more personal.



Long range Single motor
Preliminary figures¹

Range up to WLTP¹

610 km

Torque¹

343 Nm

Power up to¹

200 kW
272 hp

0-100 km/h / 0-62mph¹

7.1 sec

Top speed¹

200 km/h

Long range Dual motor
Preliminary figures¹

Range up to WLTP¹

580 km

Torque¹

686 Nm

Power up to¹

400 kW

544 hp

0-100 km/h / 0-62mph¹

3.8 sec

Top speed¹

200 km/h

Includes:

- Pilot assist
- Lane change assist

Pilot pack



Includes:

- Graphical Head-up Display
- Harman Kardon Premium Sound
- Pixel LED Headlights with Adaptive High Beam
- 22 kW AC-charging
- Power operated steering column
- Easy ingress/egress
- 12-way electrical seats with mechanical cushion extension
- Electric reclinable rear seat backs
- Rear control and entertainment screen
- 3-zone climate with AQM PM 2.5 sensor
- Interior illumination Star knit deco
- Automatically dimmed exterior mirrors
- MicroTech upholstery in Charcoal with Zinc deco
- Mist Tailored knit upholstery with Zinc deco
- Power operated tailgate with handsfree opening & soft close
- Heated steering wheel and rear seats

Plus pack



Includes:

- 21" Pro
- Black seatbelt with Swedish gold stripe
- Swedish gold valve caps

(Not applicable with Performance pack)

Pro pack

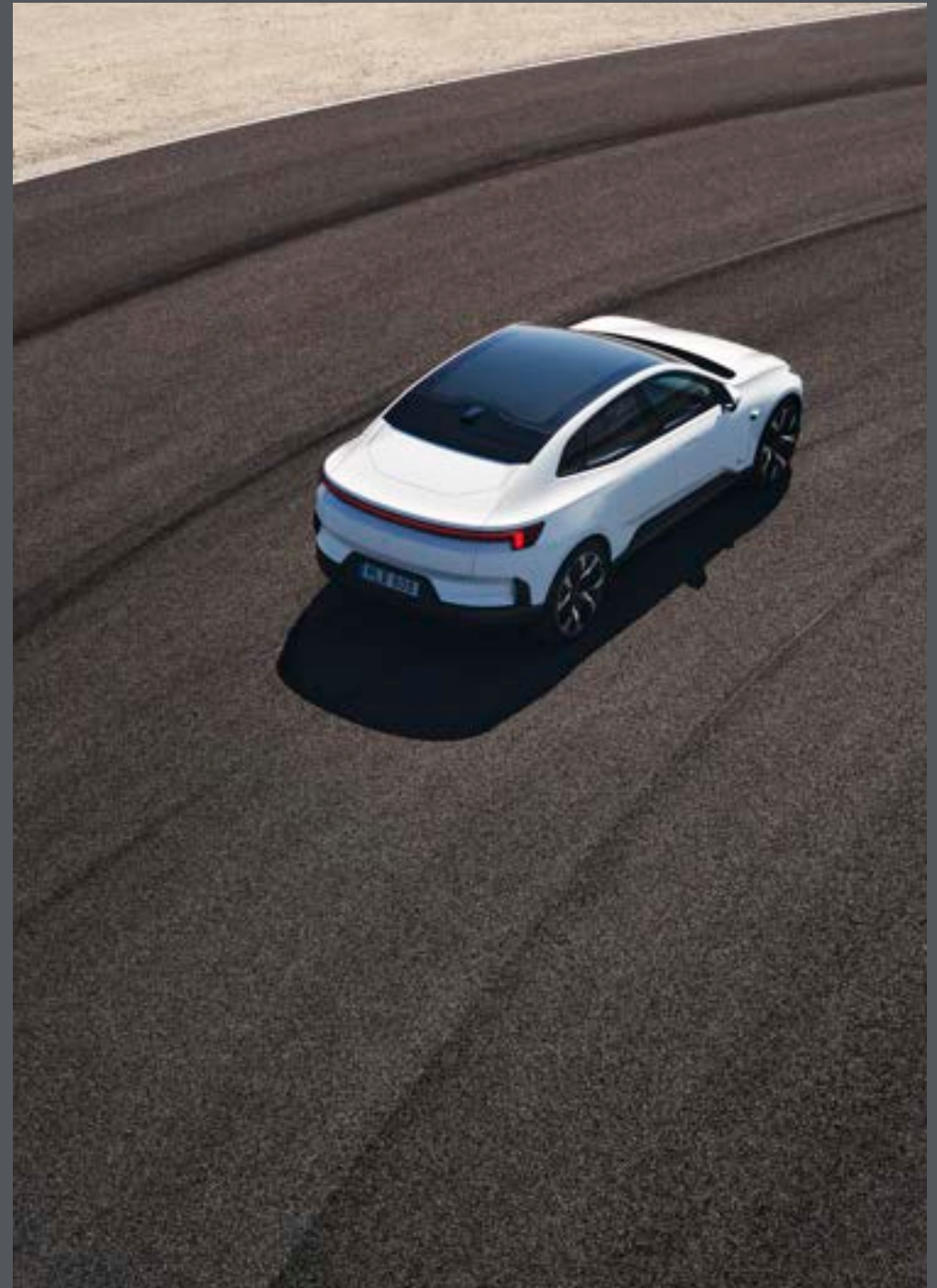


Includes:

- 22" Performance
- Performance optimised tyres
- Brembo brake callipers in Swedish gold
- Performance Engineered performance discs
- Polestar Engineered chassis tuning
- Swedish gold seatbelts
- Swedish gold valve caps

(Requires Long range Dual motor and Plus pack)

Performance pack



Includes:

- Perforated Animal welfare Nappa leather seats in Zinc or Charcoal
- Ventilated front seats with massage
- Harman Kardon headrest speakers in front seats
- Rear comfort headrests
- Brushed textile headlining

(Requires Plus pack)

Nappa upgrade



Includes:

- Colour upgrade
- Premium colour
- Body painted lower claddings (Requires Plus pack)
- 21" Sport (Not applicable with Pro or Performance pack)
- Electrochromic glass roof (Requires Plus pack)
- Power foldable towbar
- Privacy glass on rear side windows
- AC-charging cable for public/home wallbox

Single options





Safety

Safety has been part of the Polestar DNA since the beginning, and these protective genes are evident in the Polestar 4. Cutting-edge driver assistance and impact protection systems safeguard all occupants at all times.



Next-level sustainability

Leaving a smaller climate footprint is a core Polestar principle. Polestar 4 is another step forward in our journey to use more responsibly sourced materials and solutions, reduce greenhouse gas emissions, increase transparency and promote circularity.



Technical dimensions
Preliminary figures¹

Curb weight¹

2230-2355 kg

Wheelbase

2999 mm

Dimensions

L: 4840 mm

H: 1544 mm

W: 2139 mm

Centre display

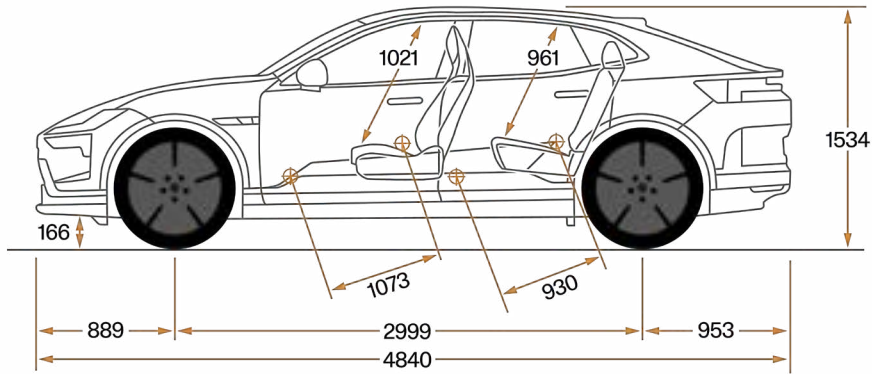
15.4"

Luggage volumes front/rear

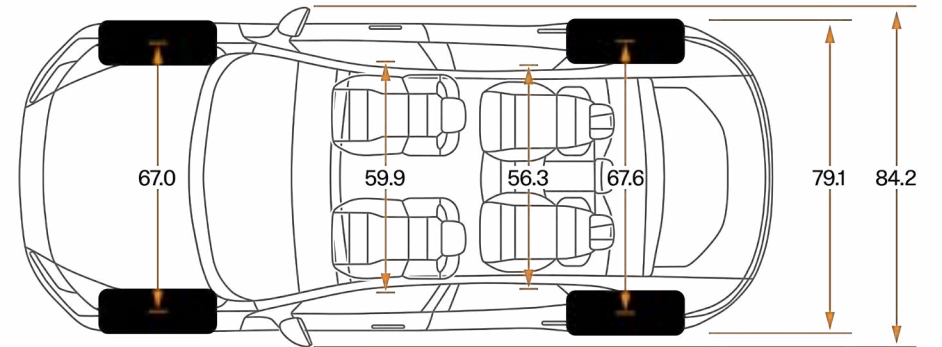
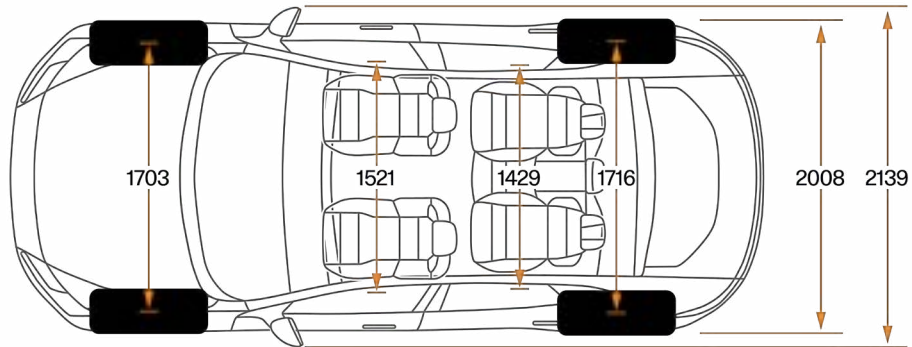
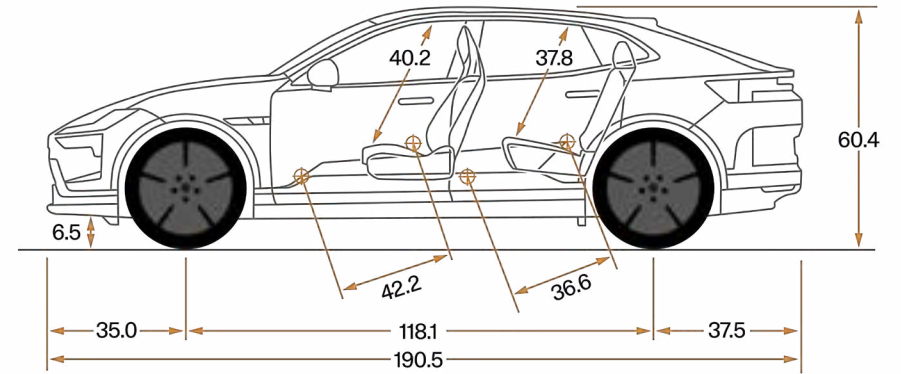
15 L / 526 L

Technical dimensions

Europe in mm



USA in inches



Dimensions (mm): L-4840 mm H-1534 mm W-2139 mm
 Wheelbase (mm): 2999 mm
 Tyre specs: 21" 265/45 295/40 – 22" 265/40 295/35
 Luggage volumes front/rear (liters): 15 L / 526 L

Dimensions (inches): L-190.7" H-60.4" W-84.2"
 Wheelbase (inches): 118.1"
 Tyre specs: 21" 265/45 295/40 – 22" 265/40 295/35
 Luggage volumes front/rear (cubic feet): 0.5 cubic feet / 18.9 cubic feet

Reasons to add Polestar 4 to your fleet

01

Comfortable space
The absence of a rear window creates a roomy, modern and cocooned environment for rear passengers .

02

Next-level sustainability
The Polestar 4 takes another step forward in our journey to use more responsibly sourced materials and solutions, Leaving a smaller footprint is a core Polestar principle.

03

Over-the-air updates
With regular remote software updates, the Polestar 4 stays up to date without the need to visit a service location.

04

Reach and range
Polestar 4 has an improved range estimate and is connected with Google built-in. Get where you're going and stay up to speed while on the way.

Polestar

—
Polestar Performance AB
Assar Gabrielssons Väg 9
405 31 Göteborg, Sweden

Connect

polestar.com
info@polestar.com
facebook.com/polestarcars
instagram.com/polestarcars
twitter.com/polestarcars
youtube.com/polestarcars
linkedin.com/company/polestarcars

Visiting address:

Polestar HQ
Assar Gabrielssons Väg 9
418 78 Göteborg

Copyright

All rights reserved.
No part of this brochure may be reproduced, distributed or transmitted in any manner without the expressed written consent of Polestar Performance AB.

© 2024 Polestar Performance AB

The Polestar trademarks are owned by Polestar Holding AB. Other product names, trademarks and company names are property of their respective owners.

*Preliminary figures. Subject to final certification.